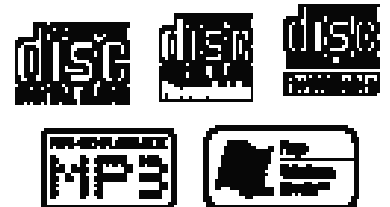


Service  
Service  
Service



# Service Manual



## CONTENTS

Technical specification .....1-2

Service measurement setup.....1-3

Service aids .....1-4

Instructions on CD playability .....2-1..2-2

Block diagram.....3-1

Wiring diagram.....3-2

AMP board

    Circuit diagram .....4-1

    Layout diagram.....4-2..4-5

LCD board

    Circuit diagram .....5-1

    Layout diagram.....5-2..5-3

CD board

    Circuit diagram .....6-1..6-2

    Layout diagram.....6-3..6-4

Exploded view diagram .....7-1

Revision list.....8-1

© Copyright 2010 Philips Consumer Electronics B.V. Eindhoven, The Netherlands  
All rights reserved. No part of this publication may be reproduced, stored in a retrieval system or transmitted, in any form or by any means, electronic, mechanical, photocopying, or otherwise without the prior permission of Philips.

Published by LX 1010 Service Audio Subject to modification

3141 785 34921

Version 1.1



# PHILIPS

## TECHNICAL SPECIFICATION

### Amplifier

Rated Output Power	4X30W RMS
Frequency Response	63 - 16000 Hz, $\pm 3$ dB
Signal to Noise Ratio	>62dB

### Disc

Laser Type	Semiconductor
Disc Diameter	12cm/8cm
Support Disc	CD-DA, CD-R, CD-RW, MP3-CD, WMA-CD
Audio DAC	24Bits / 44.1kHz
Total Harmonic Distortion	<1%
Frequency Response	63Hz - 16kHz
S/N Ratio	>65dBA

### General information

AC power	110 - 127V/220 - 240V, 50/60Hz
Operation power consumption	55W
Standby power consumption	8W
USB direct	Version 2.0/1.1
Dimensions	292 x 285 x 220
- Main Unit (W x H x D)	mm
- Speaker Box (W x H x D)	310 x 207 x 186 mm
Weight	3.8 kg
- Main Unit	1.3 kg
- Speaker Box	

### Tuner

#### FM

Tuning Range	87.5 - 108 MHz
Tuning grid	50 KHz
Sensitivity	<22 dBu
- Mono, 26dB S/N Ratio	<45 dBu
- Stereo, 46dB S/N Ratio	
Search Selectivity	<28 dBu
Total Harmonic Distortion	<3%
Signal to Noise Ratio	>45 dB

#### MW

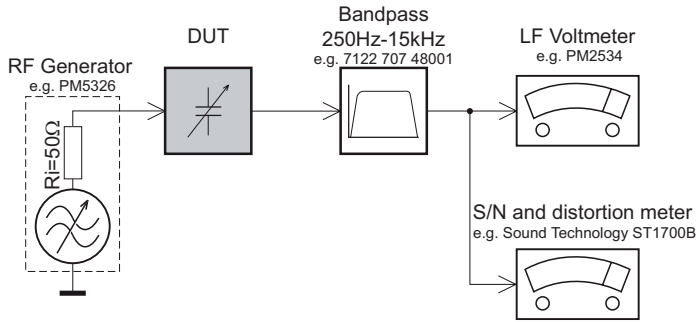
Tuning Range	530 - 1700 kHz
--------------	----------------

### Speakers

Speaker Impedance	4ohm
-------------------	------

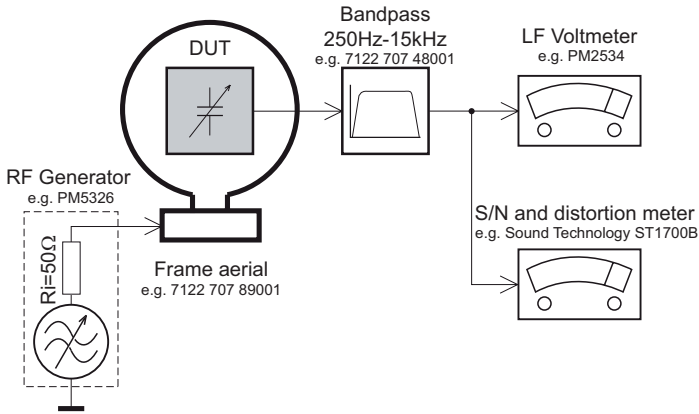
# MEASUREMENT SETUP

## Tuner FM



Use a bandpass filter to eliminate hum (50Hz, 100Hz) and disturbance from the pilotone (19kHz, 38kHz).

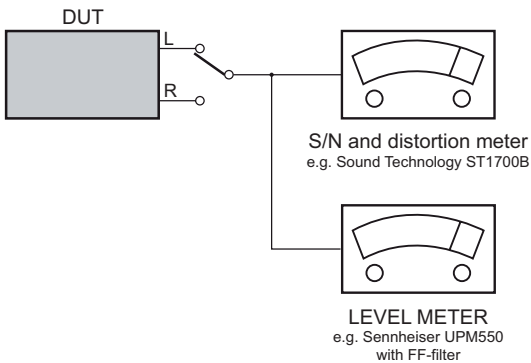
## Tuner AM (MW,LW)



To avoid atmospheric interference all AM-measurements have to be carried out in a Faraday's cage. Use a bandpass filter (or at least a high pass filter with 250Hz) to eliminate hum (50Hz, 100Hz).

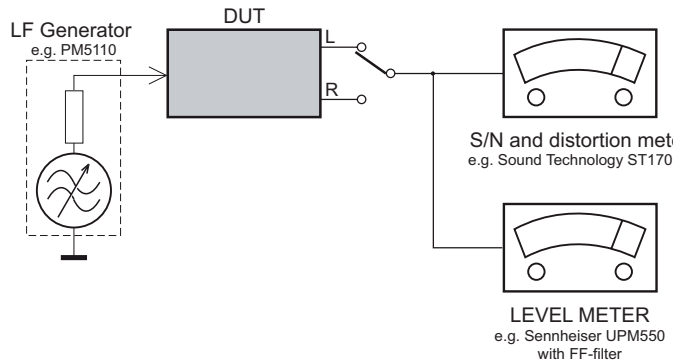
## CD

Use Audio Signal Disc SBC429 4822 397 30184 (replaces test disc 3)



## Recorder

Use Universal Test Cassette **Cr02** SBC419 4822 397 30069 or Universal Test Cassette **Fe** SBC420 4822 397 30071



## SERVICE AIDS

### **GB** WARNING

All ICs and many other semi-conductors are susceptible to electrostatic discharges (ESD). Careless handling during repair can reduce life drastically.

When repairing, make sure that you are connected with the same potential as the mass of the set via a wrist wrap with resistance. Keep components and tools also at this potential.

### ESD



### **GB**

Safety regulations require that the set be restored to its original condition and that parts which are identical with those specified, be used

Safety components are marked by the symbol  $\Delta$ .

**CLASS 1  
LASER PRODUCT**

## INFORMATION ABOUT LEAD-FREE SOLDERING

Philips CE is producing lead-free sets from 1.1.2005 onwards.

### IDENTIFICATION:

Regardless of special logo (not always indicated) one must treat all sets from 1 Jan 2005 onwards, according next rules:



- On our website [www.atyourservice.ce.Philips.com](http://www.atyourservice.ce.Philips.com) you find more information to:
  - \* BGA-de-/soldering (+ baking instructions)
  - \* Heating-profiles of BGAs and other ICs used in Philips-sets
  - \* Lead free

You will find this and more technical information within the "magazine", chapter "workshop news".

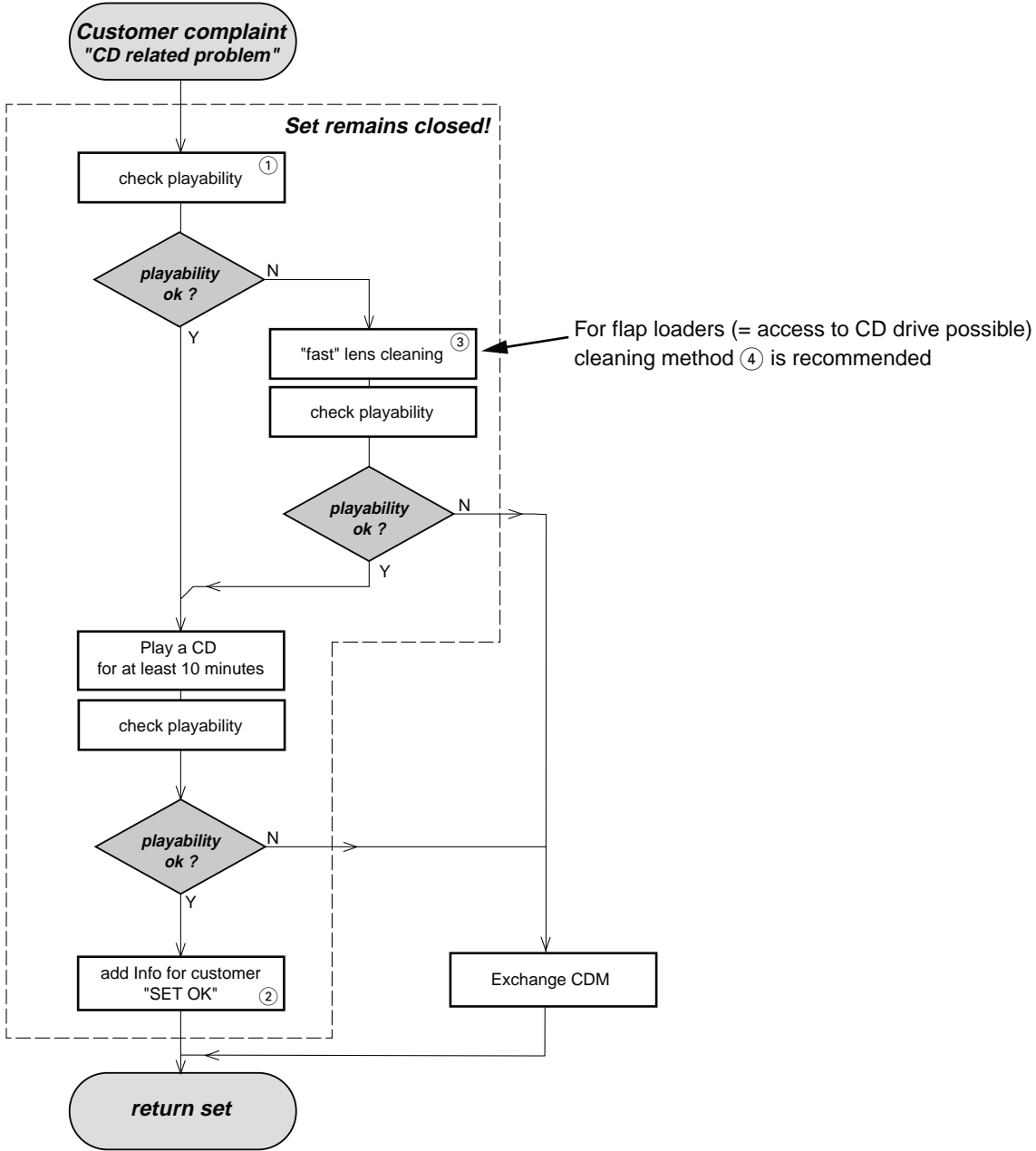
For additional questions please contact your local repair-helpdesk.

## SERVICE INSTRUCTION

Safety regulations require that after a repair, the set must be returned in its original condition. Pay in particular attention to the following points:

- Route the wire trees correctly and fix them with the mounted cable clamps.
- Check the insulation of the AC Power lead for external damage.
- Check the strain relief of the AC Power cord for proper function.
- Check the electrical DC resistance between the AC Power Plug and the secondary side (only for sets which have a AC Power isolated power supply):
  1. Unplug the AC Power cord and connect a wire between the two pins of the AC Power plug.
  2. Set the AC Power switch to the "on" position (keep the AC Power cord unplugged!).
  3. Measure the resistance value between the pins of the AC Power plug and the metal shielding of the tuner or the aerial connection on the set. The reading should be larger than 4.5 Mohm (For U.S. it should be between 4.2 Mohm and 12 Mohm).
  4. Switch "off" the set, and remove the wire between the two pins of the AC Power plug.
- Check the cabinet for defects, to avoid touching of any inner parts by the customer.

# INSTRUCTIONS ON CD PLAYABILITY



① - ④ For description - see following pages

## INSTRUCTIONS ON CD PLAYABILITY

①

### PLAYABILITY CHECK

For sets which are compatible with **CD-RW** discs  
 use CD-RW Printed Audio Disc .....7104 099 96611  
 TR 3 (Fingerprint)  
 TR 8 (600µ Black dot) **maximum at 01:00**

- playback of these two tracks without audible disturbance  
 playing time for: Fingerprint  $\geq 10$ seconds  
 Black dot from 00:50 to 01:10
- jump forward/backward (search) within a reasonable time

For all other sets  
 use CD-DA SBC 444A .....4822 397 30245  
 TR 14 (600µ Black dot) **maximum at 01:15**  
 TR 19 (Fingerprint)  
 TR 10 (1000µ wedge)

- playback of all these tracks without audible disturbance  
 playing time for: 1000µ wedge  $\geq 10$ seconds  
 Fingerprint  $\geq 10$ seconds  
 Black dot from 01:05 to 01:25
- jump forward/backward (search) within a reasonable time

②

### CUSTOMER INFORMATION

It is proposed to add an addendum sheet to the set which informs the customer that the set has been checked carefully - but no fault was found.

The problem was obviously caused by a scratched, dirty or copy-protected CD. In case problems remain, the customer is requested to contact the workshop directly.

The lens cleaning (method ③) should be mentioned in the addendum sheet.

The final wording in national language as well as the printing is under responsibility of the Regional Service Organizations.

④

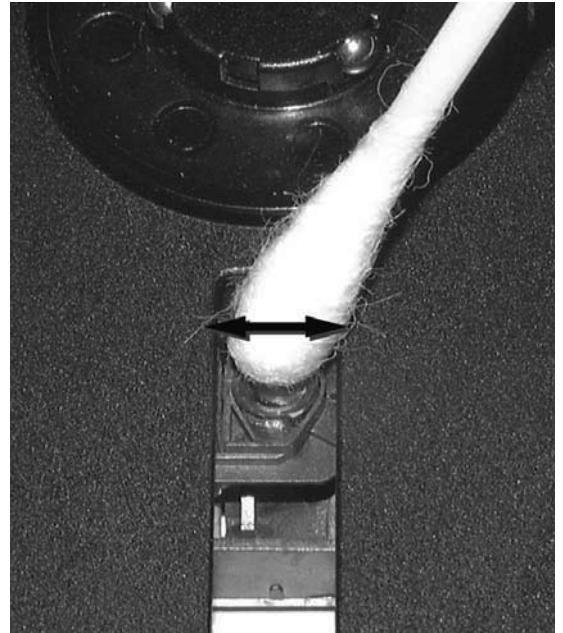
### LIQUID LENS CLEANING

**Before touching the lens it is advised to clean the surface of the lens by blowing clean air over it. This to avoid that little particles make scratches on the lens.**

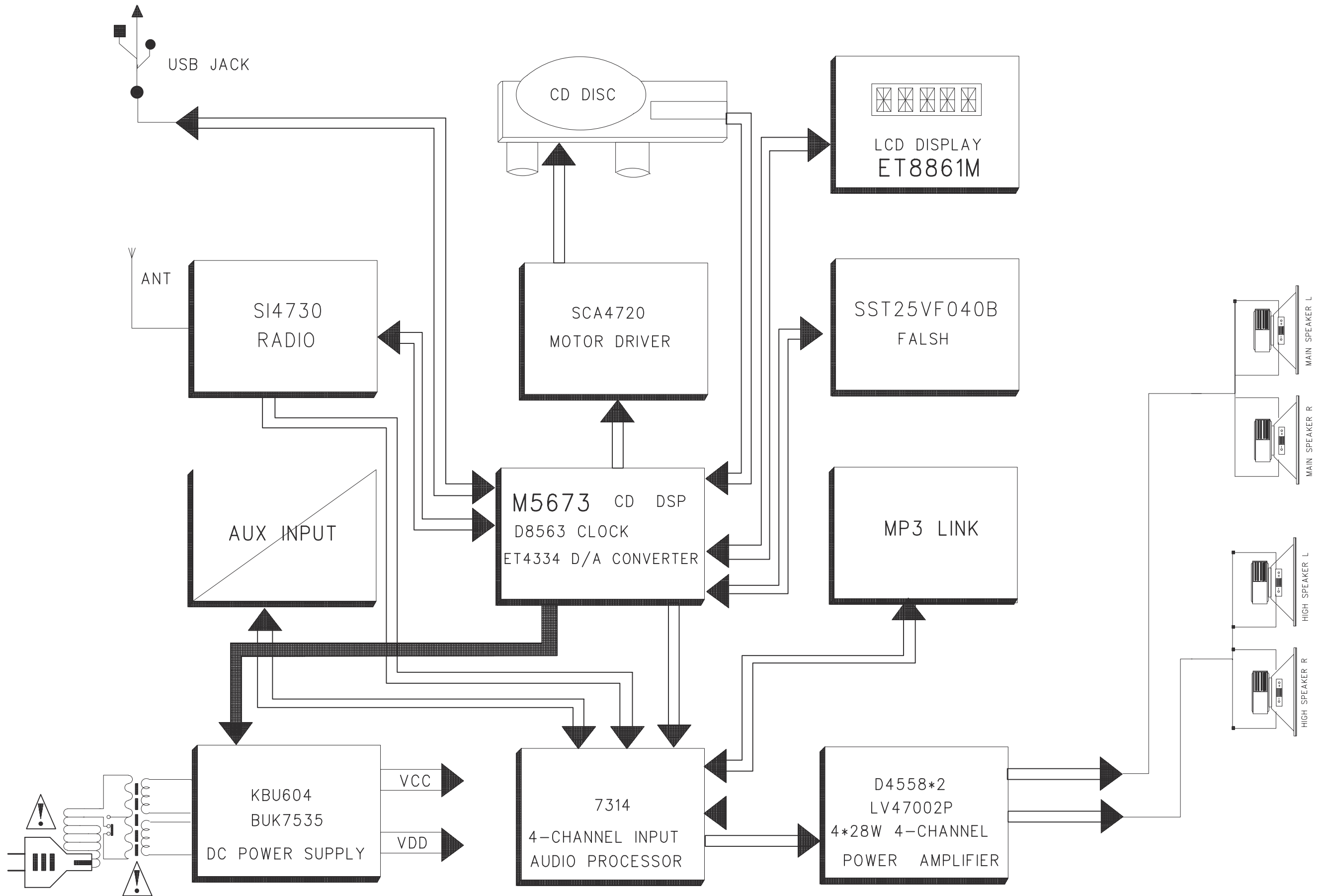
Because the material of the lens is synthetic and coated with a special anti-reflectivity layer, cleaning must be done with a non-aggressive cleaning fluid. It is advised to use "Cleaning Solvent"

The actuator is a very precise mechanical component and may not be damaged in order to guarantee its full function. Clean the lens gently (don't press too hard) with a soft and clean cotton bud moistened with the special lens cleaner.

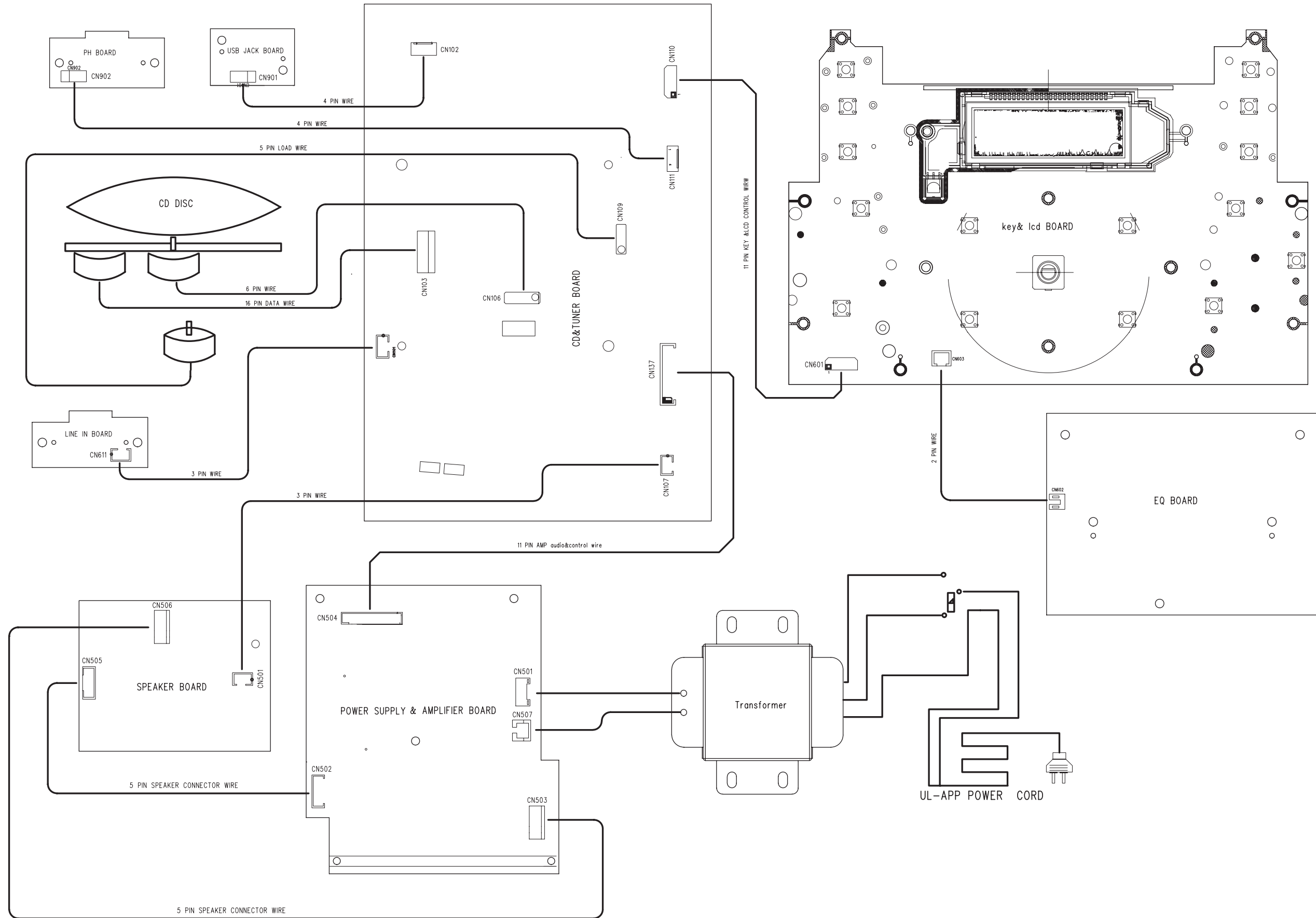
The direction of cleaning must be in the way as indicated in the picture below.



SET BLOCK DIAGRAM

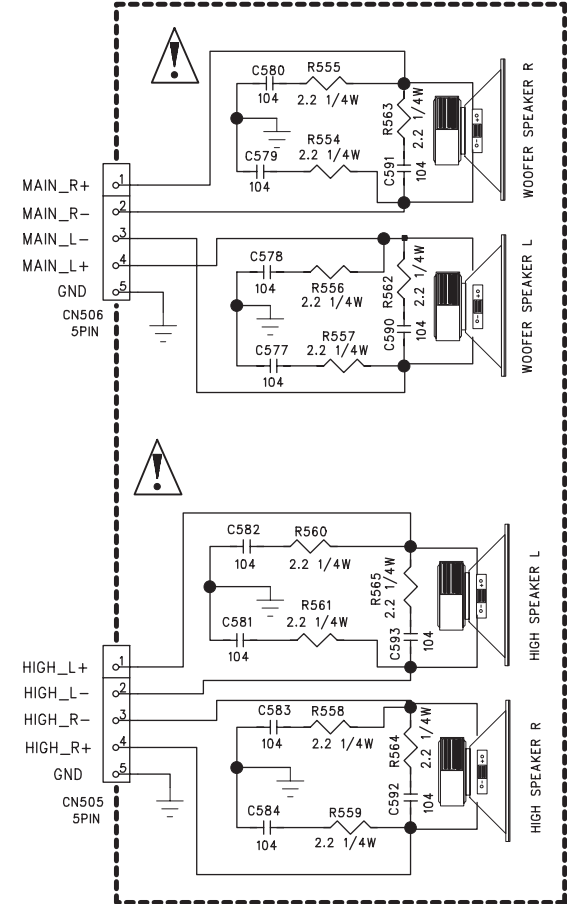
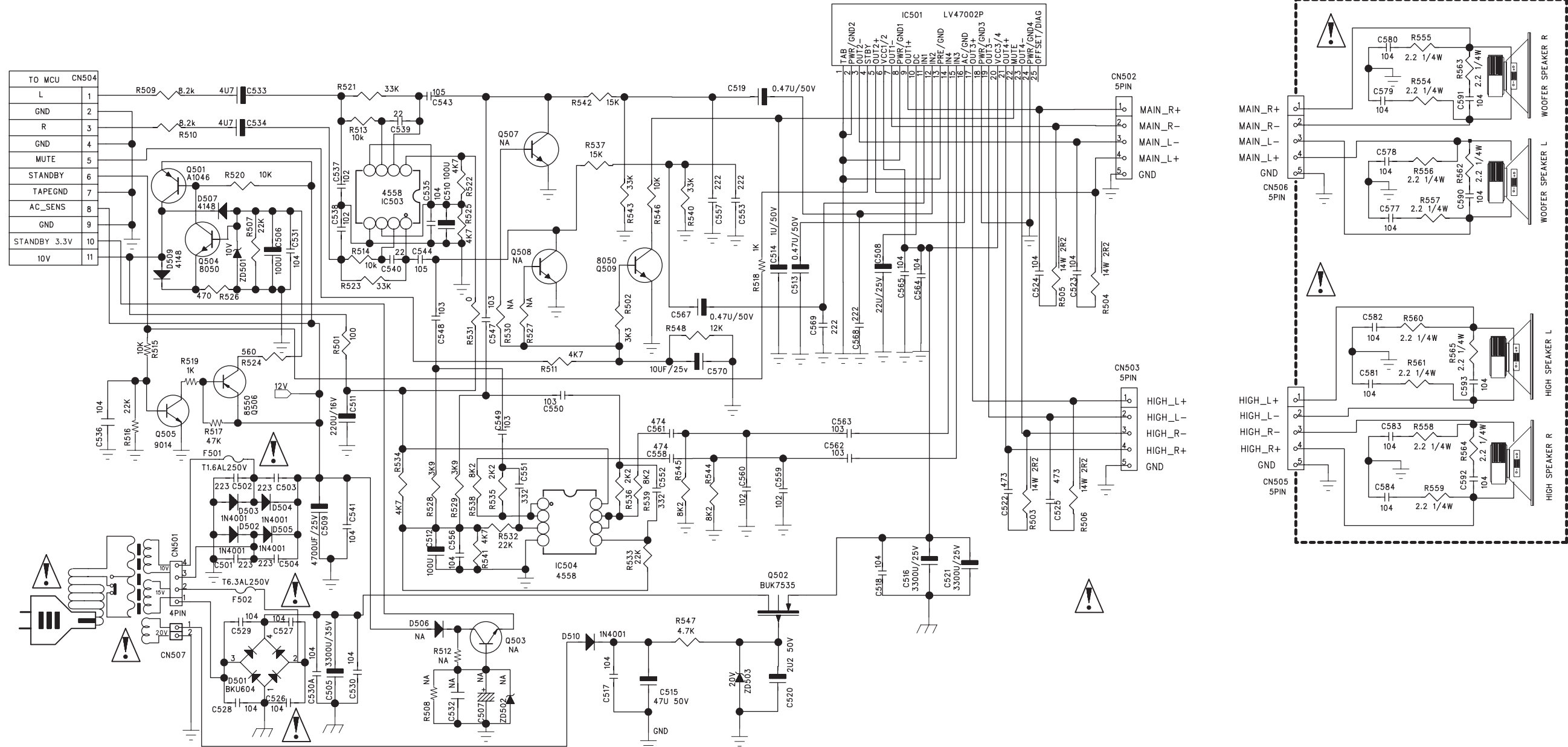


# SET WIRING DIAGRAM

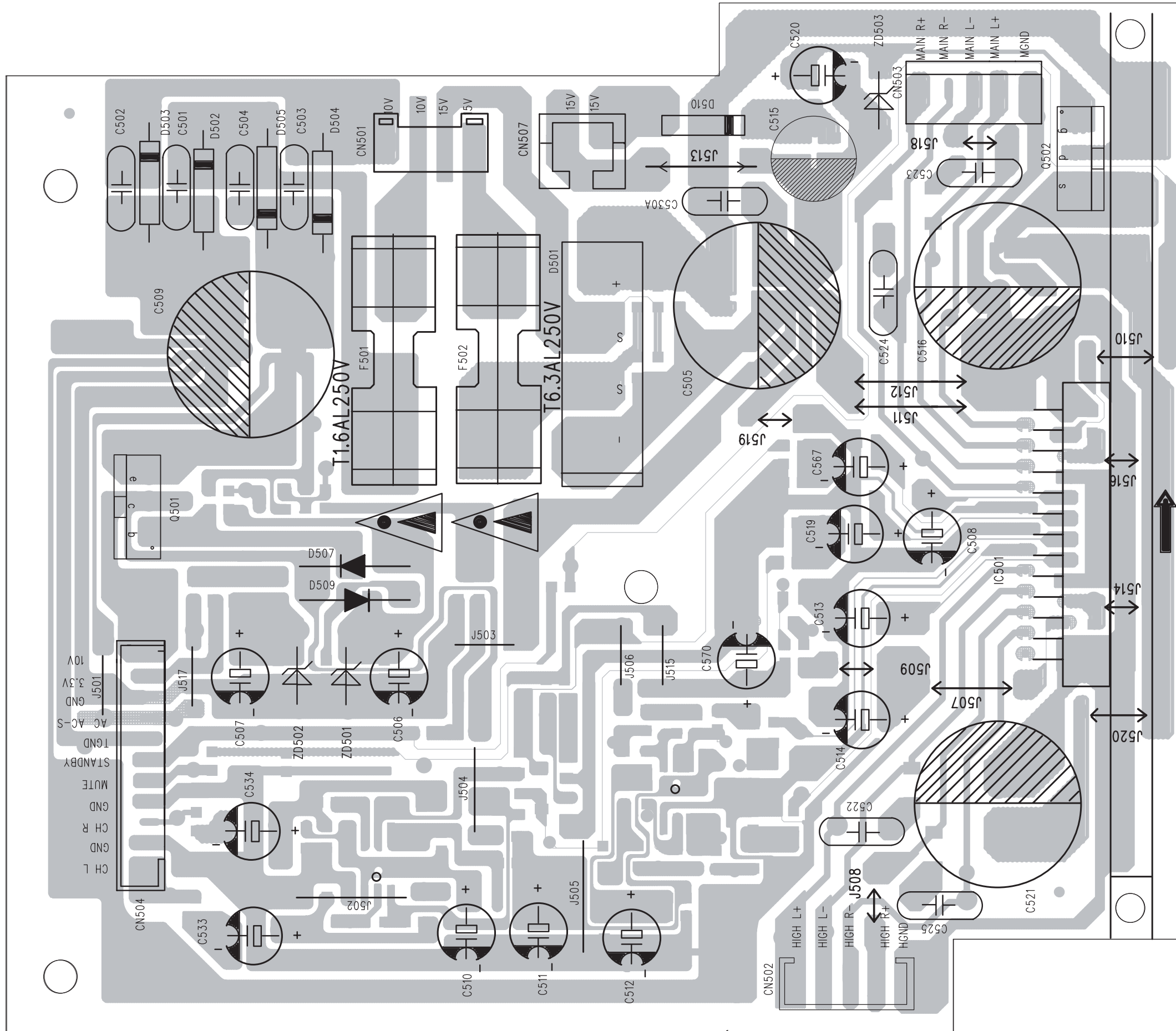




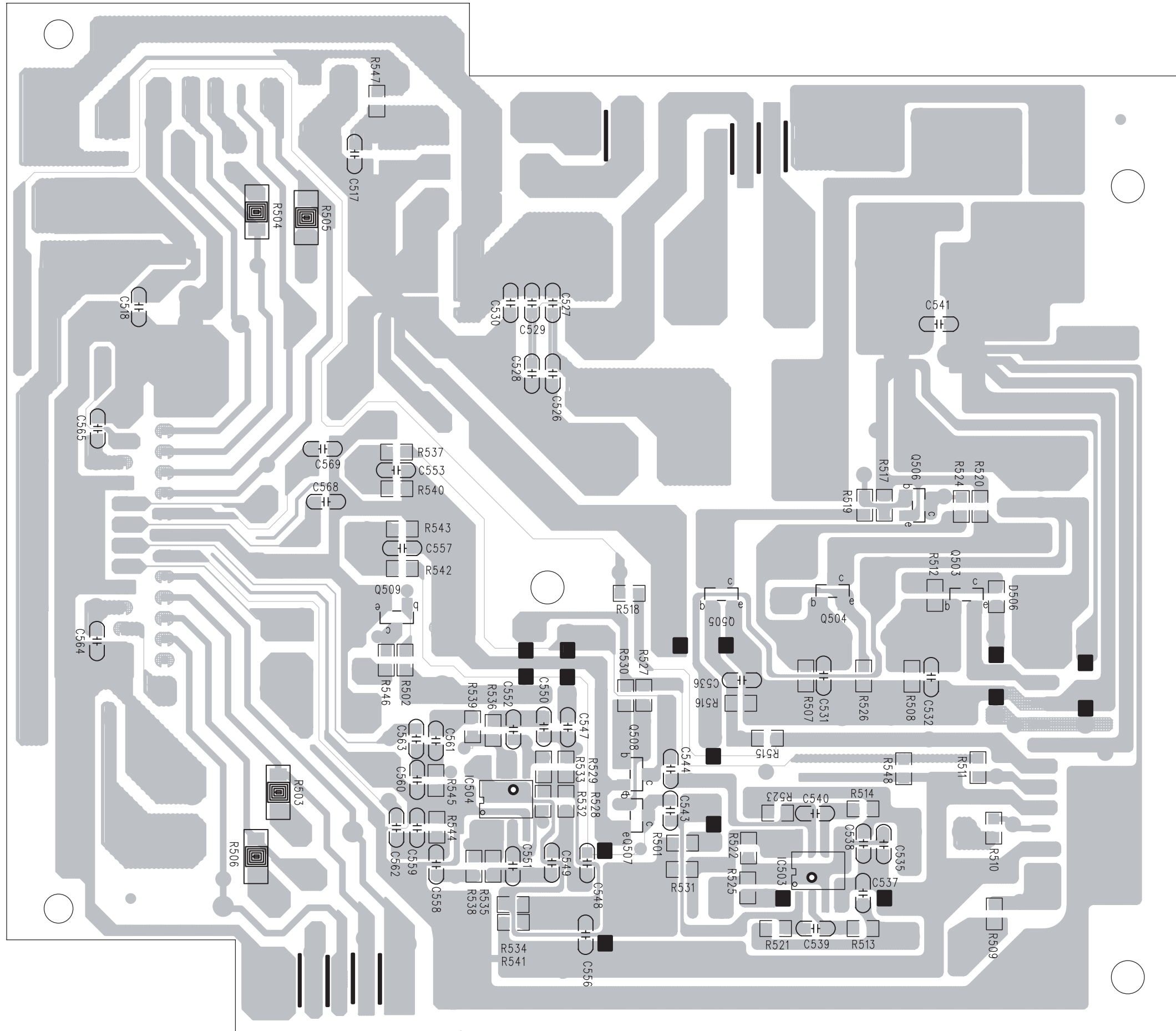
# CIRCUIT DIAGRAM - AMP BOARD



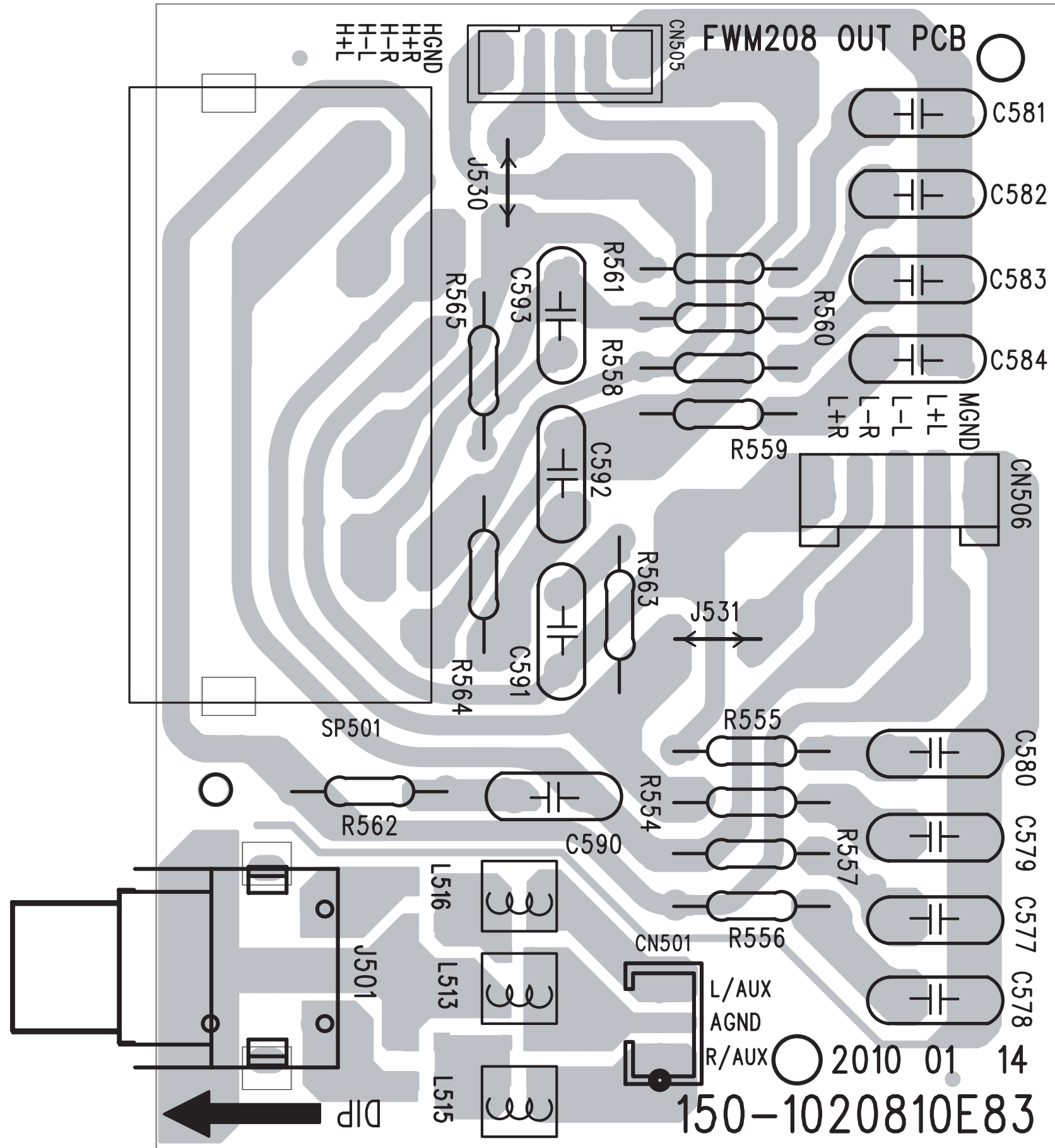
LAYOUT DIAGARM - AMP BOARD  
TOP SIDE VIEW



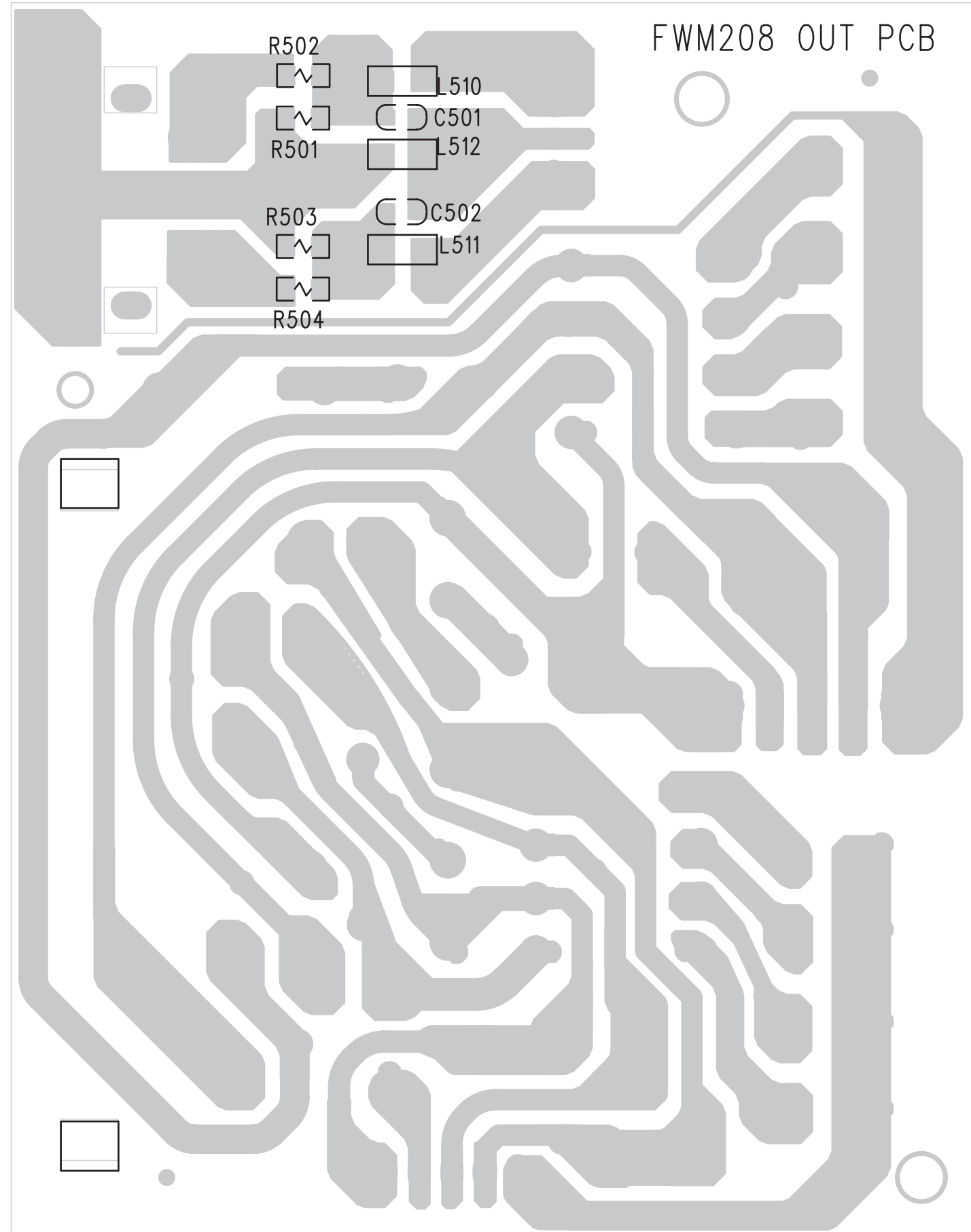
LAYOUT DIAGARM - AMP BOARD  
BOTTOM SIDE VIEW



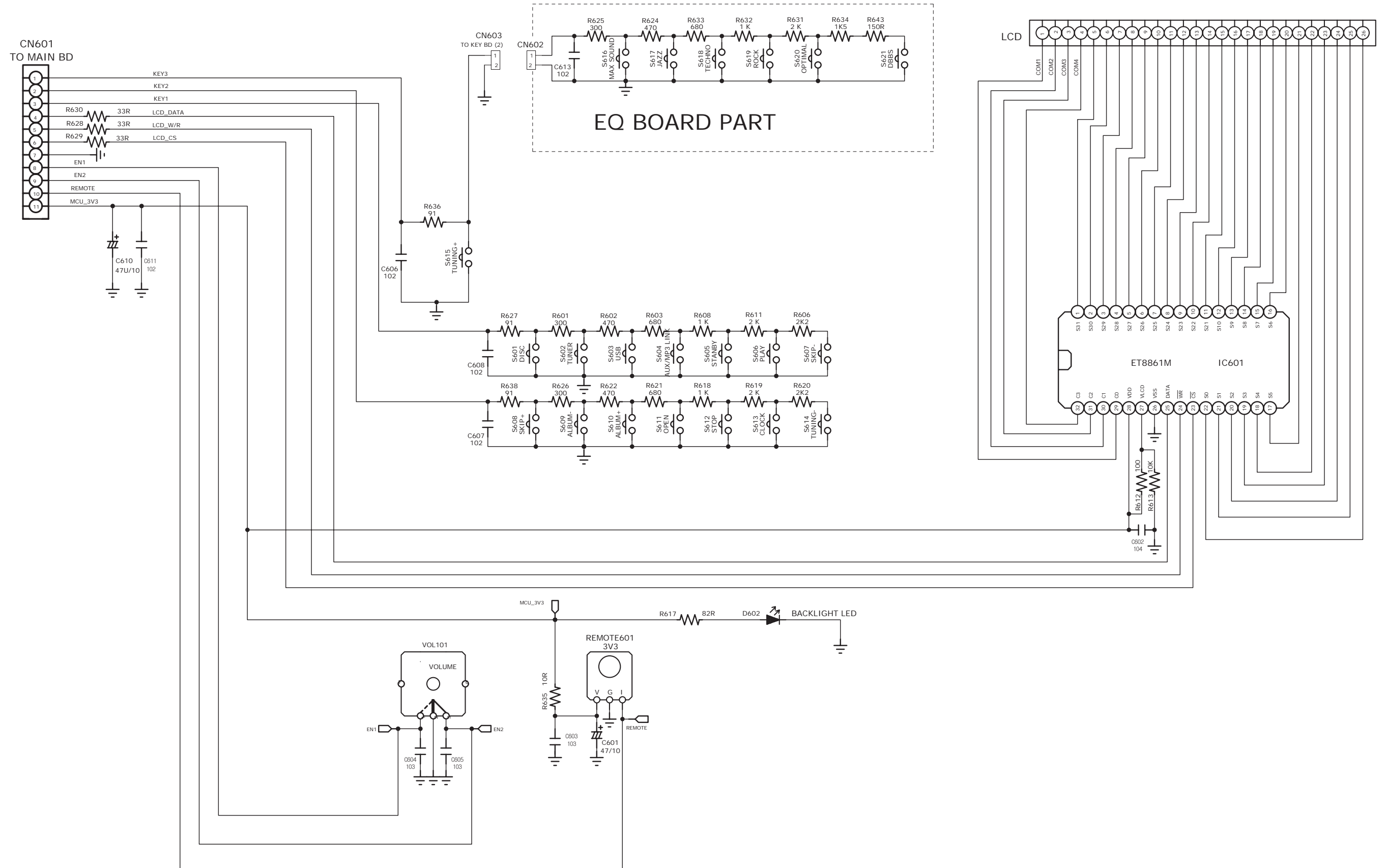
LAYOUT DIAGARM - AMP BOARD(OUTPUT PART)  
TOP SIDE VIEW



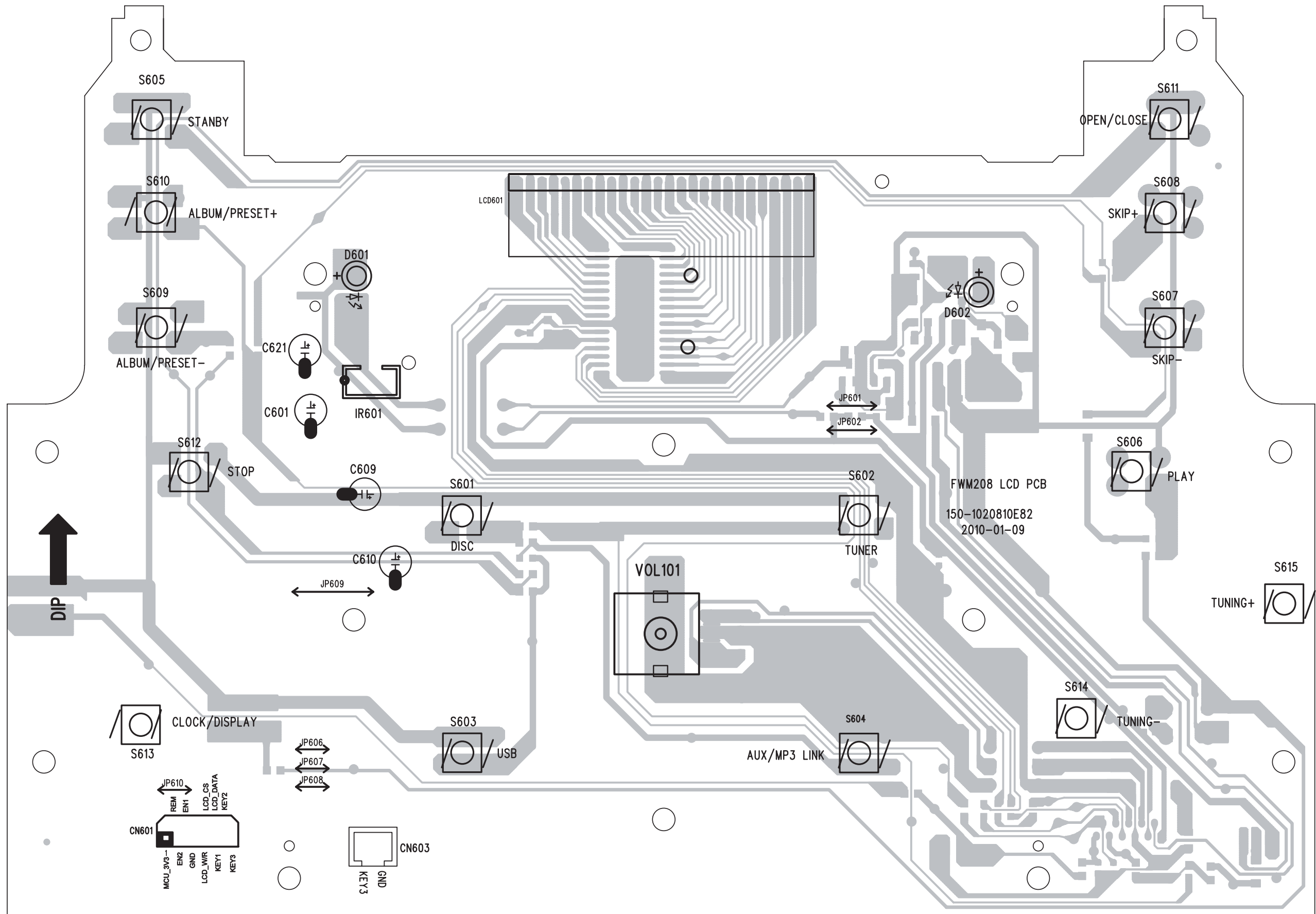
LAYOUT DIAGARM - AMP BOARD(OUTPUT PART)  
BOTTOM SIDE VIEW



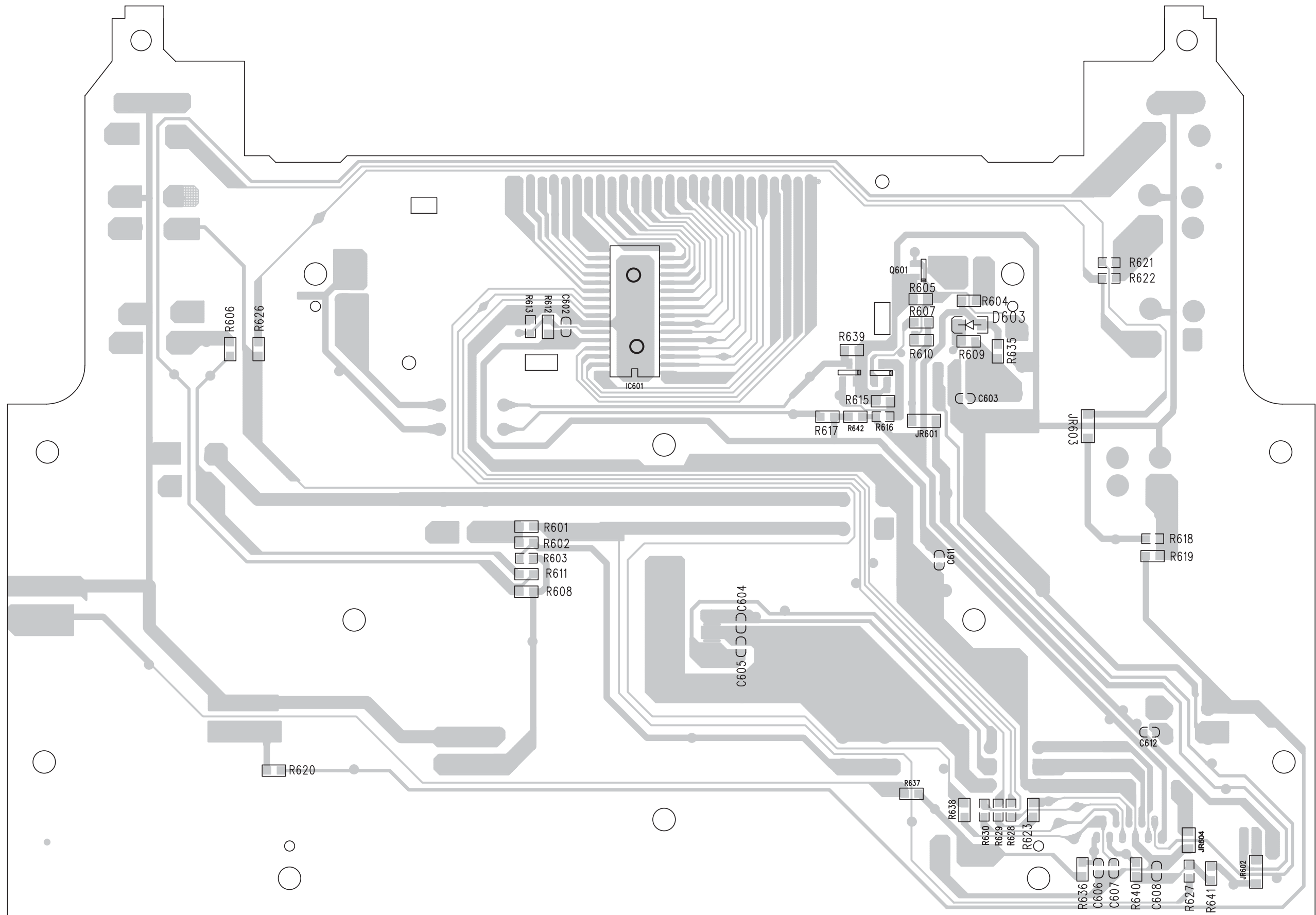
# CIRCUIT DIAGARM - LCD BOARD



LAYOUT DIAGRAM - LCD BOARD  
TOP SIDE VIEW

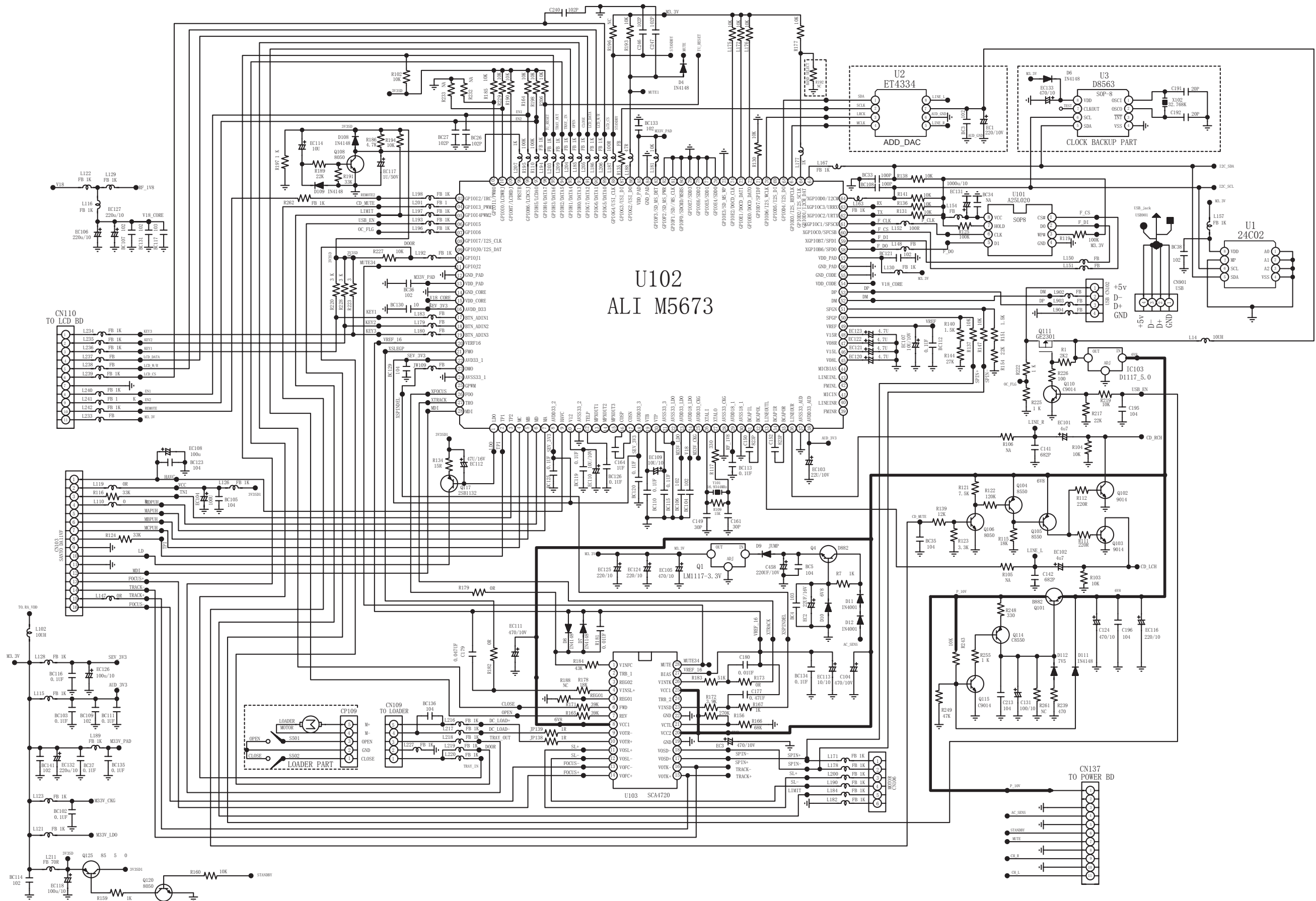


LAYOUT DIAGARM - LCD BOARD  
BOTTOM SIDE VIEW

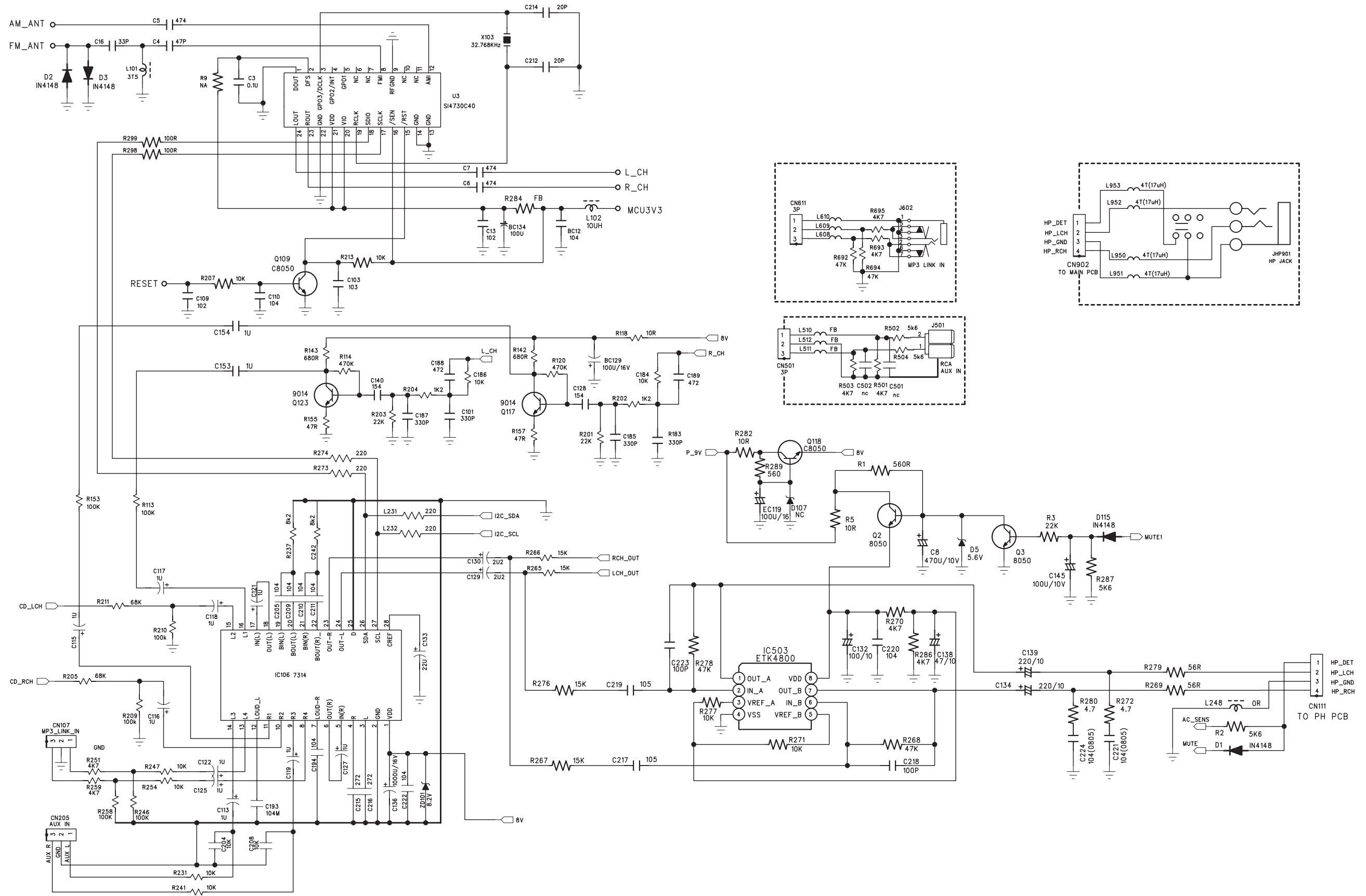




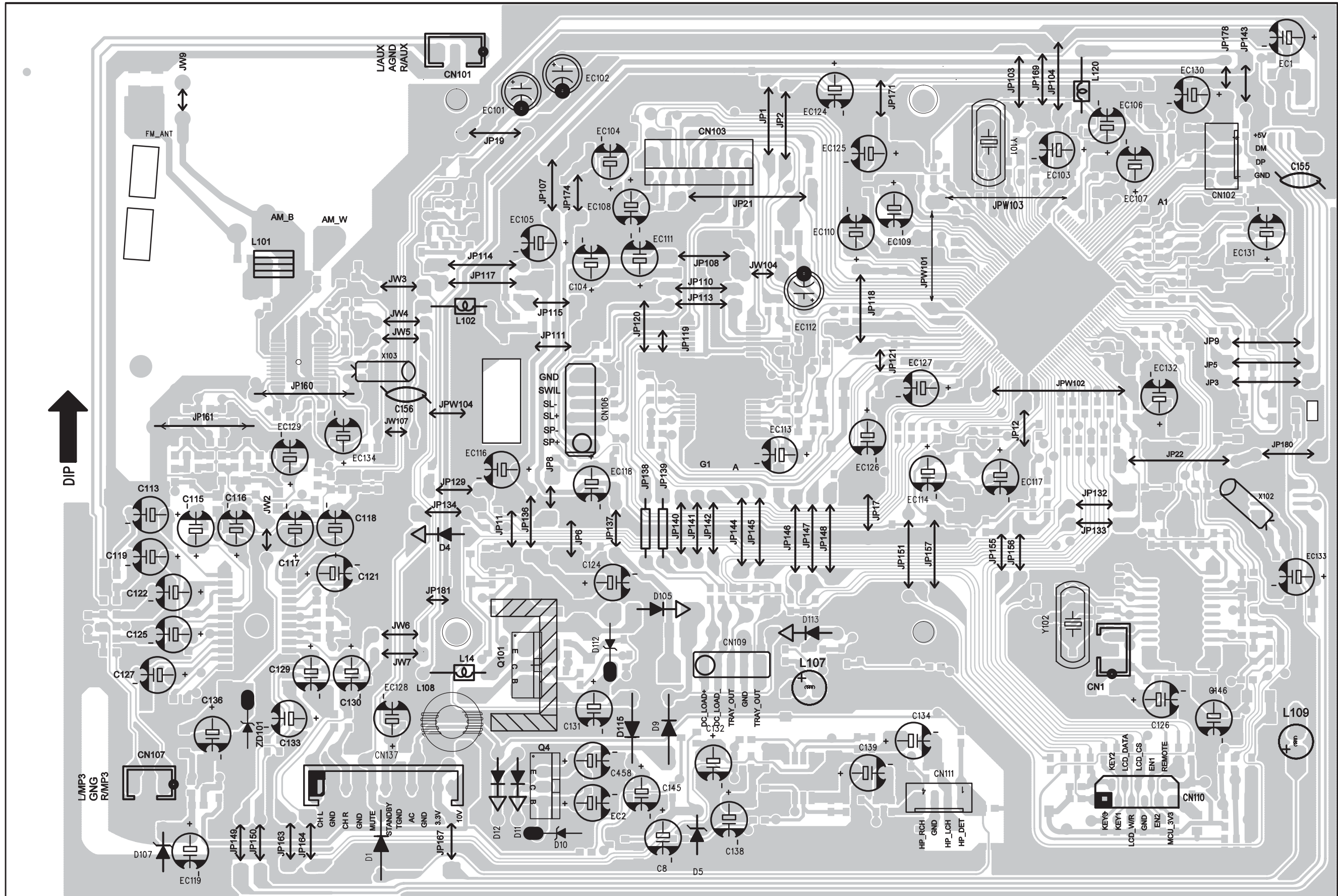
# CIRCUIT DIAGRAM - CD BOARD PART 1



# CIRCUIT DIAGRAM - CD BOARD PART 2

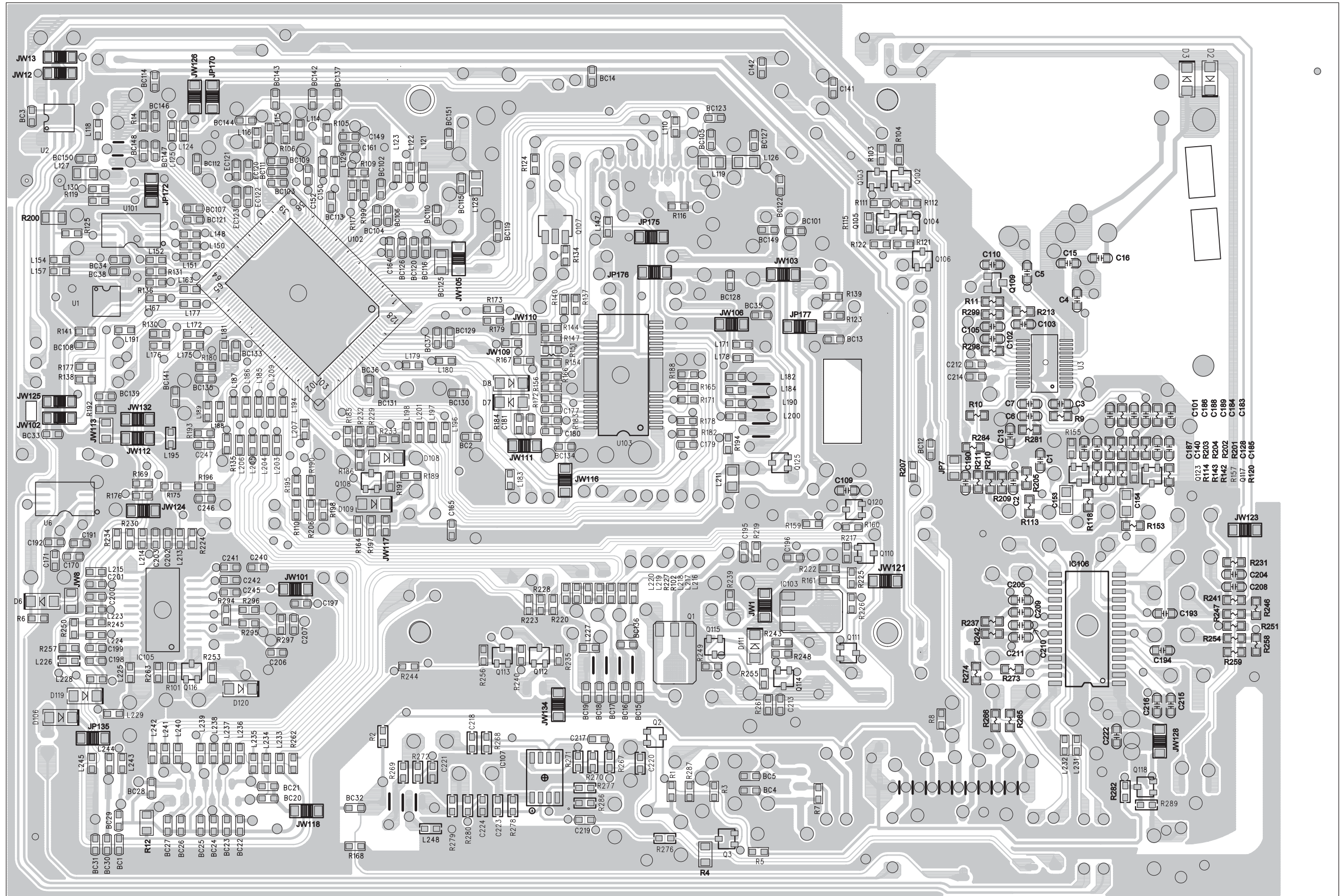


LAYOUT DIAGARM - CD BOARD  
TOP SIDE VIEW





# LAYOUT DIAGRAM - CD BOARD BOTTOM SIDE VIEW



## Revision list

Version1.0 (3141 785 34920)  
First release

Version1.1 (3141 785 34921)  
Add /77